

Spherical Roller Bearings

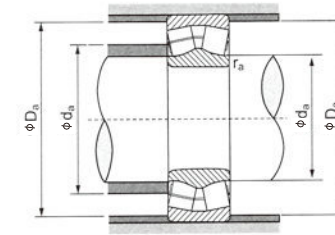
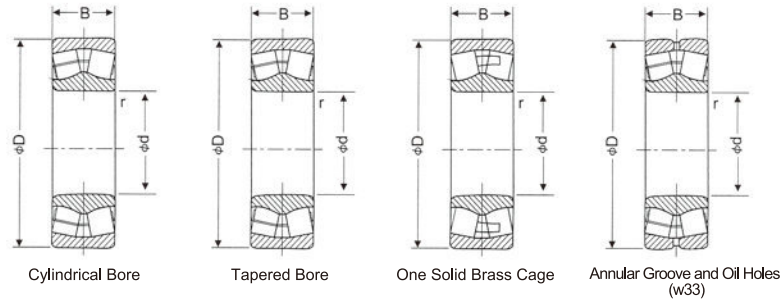
Spherical roller bearings are self-aligning and designed for heavy combination loads with wide dimension range. Special dimension design is suitable for vibratory applications such as vibration screen or exciters. Sealed spherical roller bearing is the new design of UBC spherical roller bearings.

Spherical roller bearings have two rows of rollers with a common spherical raceway in the outer ring and two inner ring raceways inclined at an angle to the bearing axis. They are self-aligning and consequently resistant to misalignment between shaft and housing and to the shaft deflection or bending.

C2: Internal radial clearance smaller than Normal
C3: Internal radial clearance bigger than Normal
C4: Internal radial clearance bigger than C3
C5: Internal radial clearance bigger than C5
2CS: Contact NBR seal on both side of the bearing
K: Tapered bore bearing, taper 1:12
K30: Tapered bore bearing, taper 1:30
W33: groove with 3 lubrication holes in outer ring
CC: pressed window type steel cages
CA: One-piece machined brass cage
MB: Double machined brass cages



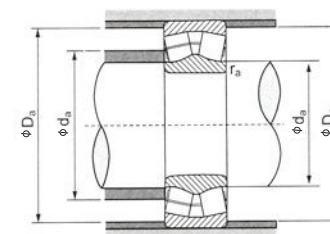
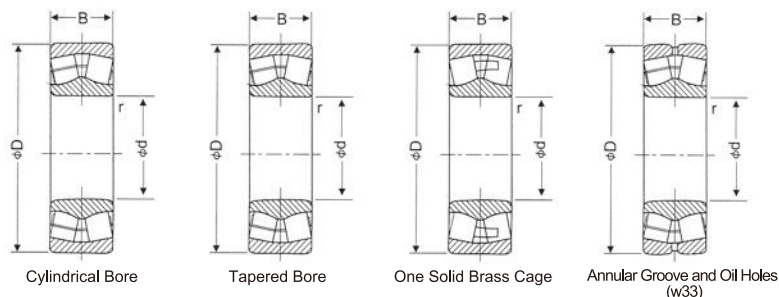
d: 20 ~ 75 mm



Principal Dimensions (mm)				Bearing Designations		Basic Load Ratings (N)		Limiting Speed (rpm)		Abutment and Fillet Dimensions (mm)			Weight (kg)
d	D	B	r (min)	Cylindrical Bore	Tapered Bore	Dynamic Cr	Static Cor	Grease	Oil	d _a (min)	D _a (max)	r _a (max)	
20	52	15	1.1	21304CA/W33	21304CAK/W33	34000	33500	7300	9000	27.0	45.0	1.0	0.18
	52	18	1	22205CA/W33	22205CAK/W33	45500	48000	7000	9000	30.5	46.5	1.0	0.19
25	62	17	1.1	21305CA/W33	21305CAK/W33	46000	47500	6200	7800	32.0	53.0	1.0	0.29
	62	20	1	22206CA/W33	22206CAK/W33	61000	65000	6000	7500	35.5	56.5	1.0	0.30
30	72	19	1.1	21306CA/W33	21306CAK/W33	59500	62500	5300	6600	38.0	65.0	1.0	0.43
	72	23	1.1	22207CA/W33	22207CAK/W33	80500	88500	5000	6300	42.0	65.0	1.0	0.46
35	80	21	1.5	21307CA/W33	21307CAK/W33	69500	76000	4700	5900	44.0	71.0	1.5	0.57
	80	31	1.5	22307CA/W33	22307CAK/W33	104000	107000	6000	7700	43.5	71.5	1.5	0.78
40	80	23	1.1	22208CA/W33	22208CAK/W33	90500	102000	4500	5600	47.0	73.0	1.0	0.56
	90	23	1.5	21308CA/W33	21308CAK/W33	85500	95500	4000	5200	50.0	81.0	1.5	0.78
	90	33	1.5	22308CA/W33	22308CAK/W33	135000	151000	4000	5300	48.5	81.5	1.5	1.07
45	85	23	1.1	22209CA/W33	22209CAK/W33	95500	110000	4300	5300	52.0	78.0	1.0	0.61
	100	25	1.5	21309CA/W33	21309CAK/W33	108000	124000	3700	4600	55.0	92.0	1.5	1.05
	100	36	1.5	22309CA/W33	22309CAK/W33	165000	182000	3500	4800	53.5	91.5	1.5	1.41
50	90	23	1.1	22210CA/W33	22210CAK/W33	102000	122000	3800	4800	57.0	83.0	1.0	0.65
	110	27	2	21310CA/W33	21310CAK/W33	128000	151000	3300	4200	61.0	101.0	2.0	1.36
	110	40	2	22310CA/W33	22310CAK/W33	203000	235000	3200	4300	60.0	100.0	2.0	1.92
55	100	25	1.5	22211CA/W33	22211CAK/W33	123000	144000	3400	4300	63.5	91.5	1.5	0.88
	120	29	2	21311CA/W33	21311CAK/W33	144000	165000	3000	4100	65.0	110.0	2.0	1.70
	120	43	2	22311CA/W33	22311CAK/W33	235000	263000	3000	3800	65.0	110.0	2.0	2.40
60	110	28	1.5	22212CA/W33	22212CAK/W33	151000	179000	3200	4000	68.5	101.5	1.5	1.20
	130	31	2.1	21312CA/W33	21312CAK/W33	168000	193000	2800	3700	72.0	118.0	2.0	2.10
	130	46	2.1	22312CA/W33	22312CAK/W33	281000	330000	2800	3600	72.0	118.0	2.0	3.05
65	120	31	1.5	22213CA/W33	22213CAK/W33	177000	209000	2800	3600	73.5	111.5	1.5	1.56
	140	33	2.1	21313CA/W33	21313CAK/W33	194000	232000	2600	3400	77.0	128.0	2.0	2.60
	140	48	2.1	22313CA/W33	22313CAK/W33	300000	355000	2400	3200	77.0	128.0	2.0	3.67
70	125	31	1.5	22214CA/W33	22214CAK/W33	185000	220000	2600	3400	78.5	116.5	1.5	1.65
	150	35	2.1	21314CA/W33	21314CAK/W33	215000	260000	2400	3200	82.0	138.0	2.0	3.10
	150	51	2.1	22314CA/W33	22314CAK/W33	345000	415000	2200	3000	82.0	138.0	2.0	4.45
75	130	31	1.5	22215CA/W33	22215CAK/W33	191000	234000	2400	3200	83.5	121.5	1.5	1.74
	160	37	2.1	21315CA/W33	21315CAK/W33	245000	298000	2200	3000	87.0	148.0	2.0	3.80
	160	55	2.1	22315CA/W33	22315CAK/W33	395000	475000	2000	2800	87.0	148.0	2.0	5.44

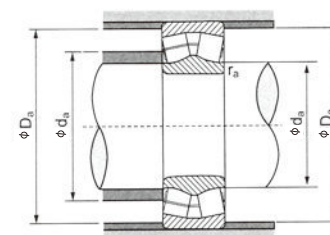
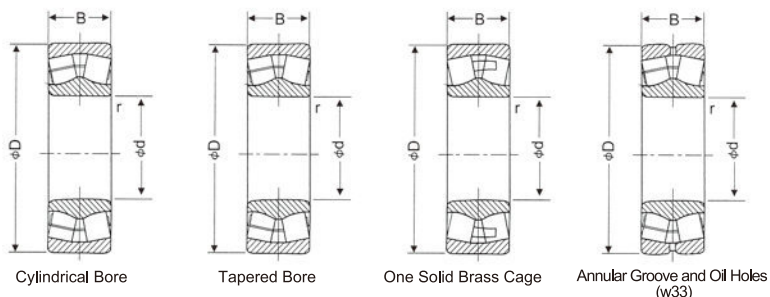


d: 80 ~ 110 mm



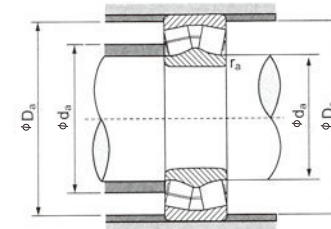
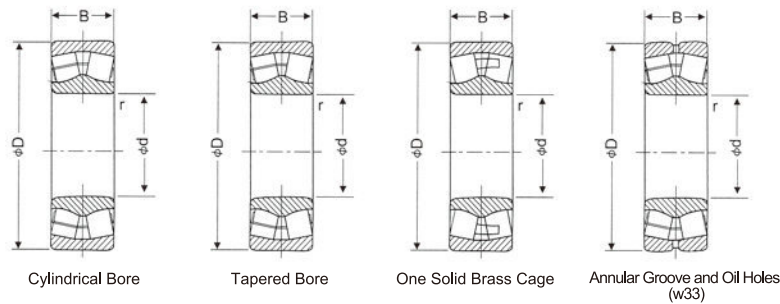
Principal Dimensions (mm)				Bearing Designations		Basic Load Ratings (N)		Limiting Speed (rpm)	Abutment and Fillet Dimensions (mm)			Weight (kg)	
d	D	B	r (min)	Cylindrical Bore	Tapered Bore	Dynamic Cr	Static Cor		Grease	Oil	d _a (min)		D _a (max)
80	140	33	2	22216CA/W33	22216CAK/W33	215000	269000	2200	3000	90.0	130.0	2.0	2.19
	140	44.4	2	23216CA/W33	23216CAK/W33	241000	335000	2200	2900	90.0	130.0	2.0	2.95
	170	39	2.1	21316CA/W33	21316CAK/W33	275000	339000	2100	2800	92.0	158.0	2.0	4.50
	170	58	2.1	22316CA/W33	22316CAK/W33	430000	520000	1900	2600	92.0	158.0	2.0	6.42
85	150	36	2	22217CA/W33	22217CAK/W33	255000	320000	2000	2800	95.0	140.0	2.0	2.75
	150	49.2	2	23217CA/W33	23217CAK/W33	285000	405000	2100	2700	95.0	140.0	2.0	3.78
	180	41	3	21317CA/W33	21317CAK/W33	300000	372000	2000	2600	99.0	166.0	2.5	5.30
	180	60	3	22317CA/W33	22317CAK/W33	480000	585000	1800	2400	99.0	166.0	2.5	7.46
90	160	40	2	22218CA/W33	22218CAK/W33	294000	375000	1900	2600	100.0	150.0	2.0	3.50
	160	52.4	2	23218CA/W33	23218CAK/W33	337000	482000	2100	2800	100.0	150.0	2.0	4.57
	190	43	3	21318CA/W33	21318CAK/W33	330000	410000	1900	2500	104.0	176.0	2.5	6.10
	190	64	3	22318CA/W33	22318CAK/W33	535000	660000	1800	2400	104.0	176.0	2.5	8.82
95	170	43	2.1	22219CA/W33	22219CAK/W33	335000	420000	1900	2600	107.0	158.0	2.0	4.24
	170	55.6	2.1	23219CA/W33	23219CAK/W33	360000	510000	1900	2400	107.0	158.0	2.0	5.46
	200	45	3	21319CA/W33	21319CAK/W33	362000	461000	1800	2300	109.0	186.0	2.5	7.10
	200	67	3	22319CA/W33	22319CAK/W33	585000	725000	1700	2200	109.0	186.0	2.5	10.20
100	140	30	1.1	23920CA/W33	23920CAK/W33	142000	233000	2300	3000	107.0	133.0	1.0	1.46
	150	37	1.5	23020CA/W33	23020CAK/W33	206000	325000	1800	2500	117.0	141.0	1.5	2.33
	165	52	2	23120CA/W33	23120CAK/W33	325000	500000	1700	2200	110.0	155.0	2.0	4.49
	180	46	2.1	22220CA/W33	22220CAK/W33	375000	480000	1800	2400	112.0	168.0	2.0	5.10
	180	60.3	2.1	23220CA/W33	23220CAK/W33	427000	629000	1900	2500	112.0	168.0	2.0	6.76
	215	47	3	21320CA/W33	21320CAK/W33	416000	524000	1600	2200	114.0	201.0	2.5	8.70
110	170	45	2	22320CA/W33	22320CAK/W33	700000	875000	1700	2200	114.0	201.0	2.5	13.1
	170	45	2	23022CA/W33	23022CAK/W33	298000	475000	1800	2400	120.0	160.0	2.0	3.84
	180	56	2	23122CA/W33	23122CAK/W33	390000	610000	1800	2400	120.0	170.0	2.0	5.70
	180	69	2	24122CA/W33	24122CAK/W33	455000	743000	1800	2400	120.0	170.0	2.0	6.89
	200	53	2.1	22222CA/W33	22222CAK/W33	490000	640000	1700	2200	122.0	188.0	2.0	7.36
	200	69.8	2.1	23222CA/W33	23222CAK/W33	538000	793000	1700	2200	122.0	188.0	2.0	9.6
	240	50	3	21322CA/W33	21322CAK/W33	485000	635000	1400	1900	124.0	226.0	2.5	11.6
	240	80	3	22322CA/W33	22322CAK/W33	825000	1040000	1500	1900	124.0	226.0	2.5	18.1

d: 120 ~ 150 mm



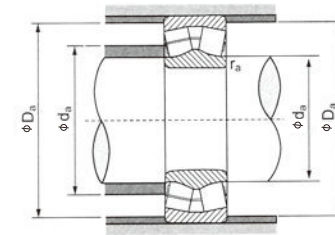
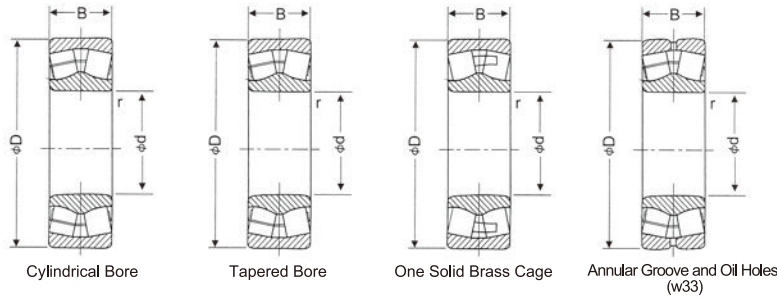
Principal Dimensions (mm)				Bearing Designations		Basic Load Ratings (N)		Limiting Speed (rpm)		Abutment and Fillet Dimensions (mm)			Weight (kg)
d	D	B	r (min)	Cylindrical Bore	Tapered Bore	Dynamic Cr	Static Cor	Grease	Oil	d _a (min)	D _a (max)	r _a (max)	
120	180	46	2	23024CA/W33	23024CAK/W33	310000	515000	1700	2200	130.0	170.0	2.0	4.20
	180	60	2	24024CA/W33	24024CAK/W33	388000	683000	1700	2300	130.0	170.0	2.0	5.36
	200	62	2	23124CA/W33	23124CAK/W33	485000	720000	1600	2200	130.0	190.0	2.0	7.90
	200	80	2	24124CA/W33	24124CAK/W33	586000	970000	1600	2200	130.0	190.0	2.0	10.0
	215	58	2.1	22224CA/W33	22224CAK/W33	565000	765000	1600	2000	132.0	203.0	2.0	9.28
	215	76	2.1	23224CA/W33	23224CAK/W33	620000	956000	1500	2100	132.0	203.0	2.0	12.0
	260	55	3	21324CA/W33	21324CAK/W33	570000	765000	1300	1600	134.0	246.0	2.5	15.3
	260	86	3	22324CA/W33	22324CAK/W33	897000	1130000	1300	1800	134.0	246.0	2.5	22.6
130	180	37	1.5	23926CA/W33	23926CAK/W33	204000	355000	1800	2300	138.5	171.5	1.5	2.87
	200	52	2	23026CA/W33	23026CAK/W33	400000	660000	1600	2000	140.0	190.0	2.0	6.14
	200	69	2	24026CA/W33	24026CAK/W33	510000	900000	1600	2100	140.0	190.0	2.0	7.93
	210	64	2	23126CA/W33	23126CAK/W33	497000	799000	1500	2000	140.0	200.0	2.0	8.60
	210	80	2	24126CA/W33	24126CAK/W33	604000	1030000	1500	2000	140.0	200.0	2.0	10.7
	230	64	3	22226CA/W33	22226CAK/W33	655000	915000	1400	1800	144.0	216.0	2.5	11.6
	230	80	3	23226CA/W33	23226CAK/W33	705000	1090000	1400	1900	144.0	216.0	2.5	14.2
	280	93	4	22326CA/W33	22326CAK/W33	1050000	1340000	1200	1700	148.0	262.0	3.0	28.4
140	190	37	1.5	23928CA/W33	23928CAK/W33	248000	466000	1700	2200	148.5	181.5	1.5	3.13
	210	53	2	23028CA/W33	23028CAK/W33	420000	710000	1500	1900	150.0	200.0	2.0	6.61
	210	69	2	24028CA/W33	24028CAK/W33	510000	920000	1500	2000	150.0	200.0	2.0	8.40
	225	68	2.1	23128CA/W33	23128CAK/W33	568000	940000	1400	1900	152.0	213.0	2.0	10.5
	225	85	2.1	24128CA/W33	24128CAK/W33	685000	1180000	1400	1900	152.0	213.0	2.0	13.0
	250	68	3	22228CA/W33	22228CAK/W33	755000	1030000	1300	1700	154.0	236.0	2.5	13.9
	250	88	3	23228CA/W33	23228CAK/W33	814000	1290000	1300	1700	154.0	236.0	2.5	18.8
	300	102	4	22328CA/W33	22328CAK/W33	1110000	1520000	1100	1500	158.0	282.0	3.0	35.9
150	210	45	2	23930CA/W33	23930CAK/W33	334000	622000	1600	2000	200.0	160.0	2.0	5.01
	225	56	2.1	23030CA/W33	23030CAK/W33	460000	790000	1300	1700	162.0	213.0	2.0	8.01
	225	75	2.1	24030CA/W33	24030CAK/W33	580000	1060000	1400	1800	162.0	213.0	2.0	10.50
	250	80	2.1	23130CA/W33	23130CAK/W33	722000	1230000	1300	1700	162.0	238.0	2.0	16.2
	250	100	2.1	24130CA/W33	24130CAK/W33	888000	1520000	1300	1700	162.0	238.0	2.0	19.6
	270	73	3	22230CA/W33	22230CAK/W33	864000	1200000	1200	1600	164.0	256.0	2.5	18.9
	270	96	3	23230CA/W33	23230CAK/W33	961000	1540000	1200	1600	164.0	256.0	2.5	24.2
	320	108	3	22330CA/W33	22330CAK/W33	1270000	1740000	1000	1400	168.0	302.0	3.0	43.3

d: 160 ~ 190 mm



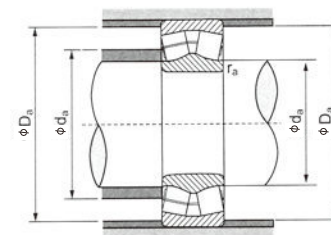
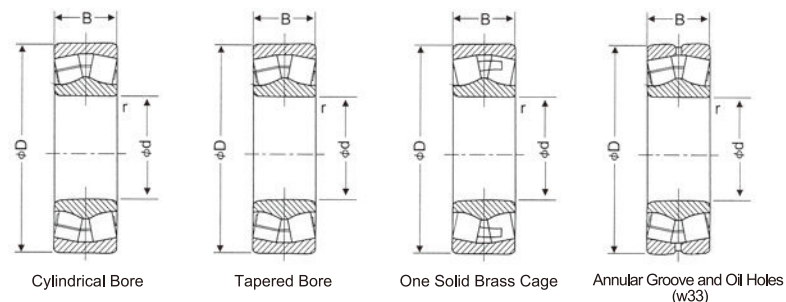
d	Principal Dimensions (mm)			Bearing Designations		Basic Load Ratings (N)		Limiting Speed (rpm)		Abutment and Fillet Dimensions (mm)			Weight (kg)
	D	B	r (min)	Cylindrical Bore	Tapered Bore	Dynamic Cr	Static Cor	Grease	Oil	da (min)	Da (max)	ra (max)	
160	220	45	2	23932CA/W33	23932CAK/W33	341000	649000	1500	1900	170.0	210.0	2.0	5.29
	240	60	2.1	23032CA/W33	23032CAK/W33	530000	915000	1200	1300	172.0	228.0	2.0	9.74
	240	80	2.1	24032CA/W33	24032CAK/W33	685000	128000	1300	1700	172.0	228.0	2.0	12.7
	270	86	2.1	23132CA/W33	23132CAK/W33	852000	1430000	1200	1600	172.0	258.0	2.0	20.5
	270	109	2.1	24132CA/W33	24132CAK/W33	1040000	1810000	1200	1600	172.0	258.0	2.0	25.5
	290	80	3	22232CA/W33	22232CAK/W33	885000	1330000	1000	1400	174.0	276.0	2.5	23.7
	290	104	3	23232CA/W33	23232CAK/W33	1080000	1710000	900	1200	174.0	276.0	2.5	30.4
	340	114	4	22332CA/W33	22332CAK/W33	1400000	1950000	650	1300	178.0	322.0	3.0	51.4
170	230	45	2	23934CA/W33	23934CAK/W33	353000	691000	1400	1800	180.0	220.0	2.0	5.58
	260	67	2.1	23034CA/W33	23034CAK/W33	630000	1080000	1100	1500	182.0	248.0	2.0	13.1
	260	90	2.1	24034CA/W33	24034CAK/W33	810000	1480000	1200	1600	182.0	248.0	2.0	17.3
	280	88	2.1	23134CA/W33	23134CAK/W33	910000	1530000	1100	1500	182.0	268.0	2.0	21.6
	280	109	2.1	24134CA/W33	24134CAK/W33	979000	1650000	1100	1500	182.0	268.0	2.0	26.1
	310	86	4	22234CA/W33	22234CAK/W33	1000000	1510000	950	1300	188.0	292.0	3.0	30.0
	310	110	4	23234CA/W33	23234CAK/W33	1240000	1970000	900	1200	188.0	292.0	3.0	37.0
	360	120	4	22334CA/W33	22334CAK/W33	1550000	2200000	900	1200	188.0	342.0	3.0	60.6
180	250	52	2	23936CA/W33	23936CAK/W33	480000	939000	1300	1700	190.0	240.0	2.0	8.10
	280	74	2.1	23036CA/W33	23036CAK/W33	773000	1330000	1000	1500	192.0	268.0	2.0	17.4
	280	100	2.1	24036CA/W33	24036CAK/W33	960000	1760000	1100	1400	192.0	268.0	2.0	22.7
	300	96	3	23136CA/W33	23136CAK/W33	1070000	1710000	900	1200	194.0	286.0	2.5	27.9
	300	118	3	24136CA/W33	24136CAK/W33	1180000	2040000	900	1200	194.0	286.0	2.5	33.7
	320	86	4	22236CA/W33	22236CAK/W33	1050000	1610000	950	1300	198.0	302.0	3.0	30.9
	320	112	4	23236CA/W33	23236CAK/W33	1290000	2100000	850	1100	198.0	302.0	3.0	39.4
	380	126	4	22336CA/W33	22336CAK/W33	1710000	2400000	850	1100	198.0	362.0	3.0	70.5
190	260	52	2	23938CA/W33	23938CAK/W33	487000	969000	1200	1600	200.0	250.0	2.0	8.46
	290	75	2.1	23038CA/W33	23038CAK/W33	760000	1330000	950	1300	202.0	278.0	2.0	18.4
	290	100	2.1	24038CA/W33	24038CAK/W33	1020000	1920000	900	1200	202.0	278.0	2.0	24.6
	320	104	3	23138CA/W33	23138CAK/W33	1240000	2120000	850	1100	204.0	306.0	2.5	35.0
	320	128	3	24138CA/W33	24138CAK/W33	1370000	2380000	850	1100	204.0	306.0	2.5	42.0
	340	92	4	22238CA/W33	22238CAK/W33	1140000	1740000	900	1200	208.0	322.0	3.0	37.2
	340	120	4	23238CA/W33	23238CAK/W33	1490000	2450000	800	1000	208.0	322.0	3.0	48.0
	400	132	5	22338CA/W33	22338CAK/W33	1870000	2670000	850	1100	212.0	378.0	4.0	81.8

d: 200 ~ 260 mm



Principal Dimensions (mm)				Bearing Designations		Basic Load Ratings (N)		Limiting Speed (rpm)		Abutment and Fillet Dimensions (mm)			Weight (kg)
d	D	B	r (min)	Cylindrical Bore	Tapered Bore	Dynamic Cr	Static Cor	Grease	Oil	d _a (min)	D _a (max)	r _a (max)	
200	280	60	2.1	23940CA/W33	23940CAK/W33	603000	1190000	1200	1500	212.0	268.0	2.0	11.9
	310	82	2.1	23040CA/W33	23040CAK/W33	900000	1560000	950	1300	212.0	298.0	2.0	23.4
	310	109	2.1	24040CA/W33	24040CAK/W33	1180000	2230000	850	1100	212.0	298.0	2.0	31.2
	340	112	3	23140CA/W33	23140CAK/W33	1400000	2390000	800	1000	214.0	326.0	2.5	42.7
	340	140	3	24140CA/W33	24140CAK/W33	1600000	2820000	800	1000	214.0	326.0	2.5	52.9
	360	98	4	22240CA/W33	22240CAK/W33	1300000	1990000	850	1100	218.0	342.0	3.0	44.8
	360	128	4	23240CA/W33	23240CAK/W33	1620000	2750000	800	1000	218.0	342.0	3.0	57.7
	420	138	5	22340CA/W33	22340CAK/W33	2080000	3000000	800	1000	222.0	398.0	4.0	93.7
220	300	60	2.1	23944CA/W33	23944CAK/W33	605000	1190000	900	1200	232.0	288.0	2.0	12.6
	340	90	3	23044CA/W33	23044CAK/W33	1060000	1880000	800	1100	234.0	326.0	2.5	30.7
	340	118	3	24044CA/W33	24044CAK/W33	1400000	2670000	800	1000	234.0	326.0	2.5	40.3
	370	120	4	23144CA/W33	23144CAK/W33	1620000	2870000	700	900	238.0	352.0	3.0	54.3
	370	150	4	24144CA/W33	24144CAK/W33	1820000	3250000	750	950	238.0	352.0	3.0	66.3
	400	108	4	22244CA/W33	22244CAK/W33	1540000	2380000	800	1000	238.0	382.0	3.0	61.9
	400	144	4	23244CA/W33	23244CAK/W33	2100000	3500000	670	850	238.0	382.0	3.0	81.4
	460	145	5	22344CA/W33	22344CAK/W33	2430000	3600000	700	900	242.0	438.0	4.0	119
240	320	60	2.1	23948CA/W33	23948CAK/W33	6250000	1260000	850	1100	252.0	308.0	2.0	13.7
	360	92	3	23048CA/W33	23048CAK/W33	1100000	2000000	800	1000	254.0	346.0	2.5	33.5
	360	118	3	24048CA/W33	24048CAK/W33	1430000	2800000	700	900	254.0	346.0	2.5	43.3
	400	128	4	23148CA/W33	23148CAK/W33	1880000	3350000	670	850	258.0	382.0	3.0	66.6
	400	160	4	24148CA/W33	24148CAK/W33	2050000	3700000	670	850	258.0	382.0	3.0	81.6
	440	120	4	22248CA/W33	22248CAK/W33	1890000	2930000	700	900	258.0	422.0	3.0	82.8
	440	160	4	23248CA/W33	23248CAK/W33	2440000	4100000	630	800	258.0	422.0	3.0	109
	500	155	5	22348CA/W33	22348CAK/W33	2770000	4100000	670	850	262.0	487.0	4.0	151
260	360	75	2.1	23952CA/W33	23952CAK/W33	8950000	1780000	800	1000	272.0	348.0	2.0	24.9
	400	104	4	23052CA/W33	23052CAK/W33	1400000	2530000	750	950	278.0	382.0	3.0	52.7
	400	140	4	24052CA/W33	24052CAK/W33	1890000	3700000	630	800	278.0	382.0	3.0	69.6
	440	144	4	23152CA/W33	23152CAK/W33	2250000	4000000	600	750	278.0	422.0	3.0	98.4
	440	180	4	24152CA/W33	24152CAK/W33	2550000	4650000	600	750	278.0	422.0	3.0	120
	480	130	5	22252CA/W33	22252CAK/W33	2230000	3500000	670	850	282.0	458.0	4.0	113
	480	174	5	23252CA/W33	23252CAK/W33	2860000	4800000	560	700	282.0	458.0	4.0	152
	540	165	6	22352CA/W33	22352CAK/W33	3150000	4750000	600	750	288.0	512.0	5.0	228

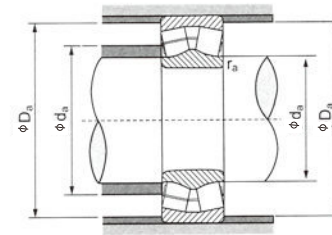
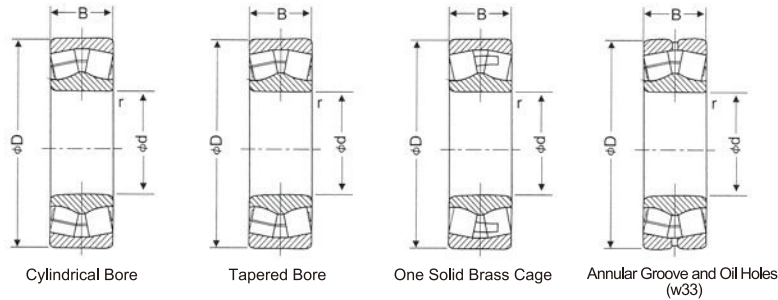
d: 280 ~ 340 mm



Principal Dimensions (mm)				Bearing Designations		Basic Load Ratings (N)		Limiting Speed (rpm)		Abutment and Fillet Dimensions (mm)			Weight (kg)
d	D	B	r (min)	Cylindrical Bore	Tapered Bore	Dynamic Cr	Static Cor	Grease	Oil	da (min)	Da (max)	ra (max)	
280	380	75	2.1	23956CA/W33	23956CAK/W33	905000	1840000	750	950	292.0	368.0	2.0	39.7
	420	106	4	23056CA/W33	23056CAK/W33	1460000	2720000	700	900	298.0	402.0	3.0	72.8
	420	140	4	24056CA/W33	24056CAK/W33	1930000	3900000	600	750	298.0	402.0	3.0	98.7
	460	146	5	23156CA/W33	23156CAK/W33	2310000	4200000	560	700	302.0	438.0	4.0	129
	460	180	5	24156CA/W33	24156CAK/W33	2580000	4800000	560	700	302.0	438.0	4.0	160
	500	130	5	22256CA/W33	22256CAK/W33	2320000	3700000	630	800	302.0	478.0	4.0	144
	500	176	5	23256CA/W33	23256CAK/W33	3000000	5200000	530	670	302.0	478.0	4.0	196
	580	175	6	22356CA/W33	22356CAK/W33	3550000	5450000	560	700	308.0	552.0	5.0	279
300	420	90	3	23960CA/W33	23960CAK/W33	1250000	2520000	670	850	314.0	406.0	2.5	23.7
	460	118	4	23060CA/W33	23060CAK/W33	1800000	3300000	630	800	318.0	442.0	3.0	48.9
	460	160	4	24060CA/W33	24060CAK/W33	2420000	4850000	560	700	318.0	442.0	3.0	65.7
	500	160	5	23160CA/W33	23160CAK/W33	2650000	4750000	530	670	322.0	478.0	4.0	92
	500	200	5	24160CA/W33	24160CAK/W33	3200000	6100000	530	670	322.0	478.0	4.0	113
	540	140	5	22260CA/W33	22260CAK/W33	2670000	4300000	600	750	322.0	518.0	4.0	107
	540	192	5	23260CA/W33	23260CAK/W33	3550000	6250000	480	600	322.0	518.0	4.0	142
	620	185	7.5	22360CA/W33	22360CAK/W33	3950000	6050000	520	650	336.0	584.0	6.0	187
320	440	90	3	23964CA/W33	23964CAK/W33	1270000	2610000	630	800	334.0	426.0	2.5	41.8
	480	121	4	23064CA/W33	23064CAK/W33	1860000	3500000	600	750	338.0	462.0	3.0	78.6
	480	160	4	24064CA/W33	24064CAK/W33	2470000	5100000	530	670	338.0	462.0	3.0	104
	540	176	5	23164CA/W33	23164CAK/W33	3150000	5700000	480	600	342.0	518.0	4.0	168
	540	218	5	24164CA/W33	24164CAK/W33	3650000	6900000	480	600	342.0	518.0	4.0	206
	580	150	5	22264CA/W33	22264CAK/W33	3050000	4900000	550	680	342.0	558.0	4.0	179
	580	208	5	23264CA/W33	23264CAK/W33	4050000	7200000	450	560	342.0	558.0	4.0	244
	620	185	7.5	22364CA/W33	22364CAK/W33	4550000	8000000	500	620	368.0	592.0	5.0	224
340	460	90	3	23968CA/W33	23968CAK/W33	1320000	2790000	600	750	354.0	446.0	2.5	44.1
	520	133	5	23068CA/W33	23068CAK/W33	2270000	4300000	560	700	362.0	498.0	4.0	104
	520	180	5	24068CA/W33	24068CAK/W33	2960000	6050000	480	600	362.0	498.0	4.0	141
	580	190	5	23168CA/W33	23168CAK/W33	3700000	6750000	450	560	362.0	558.0	4.0	212
	580	243	5	24168CA/W33	24168CAK/W33	4350000	8300000	450	560	362.0	558.0	4.0	267
	620	165	6	22268CA/W33	22268CAK/W33	4050000	6850000	500	620	368.0	592.0	5.0	224
	620	224	6	23268CA/W33	23268CAK/W33	4550000	8000000	400	530	368.0	592.0	5.0	299

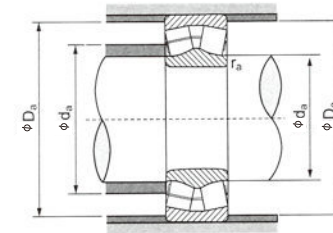
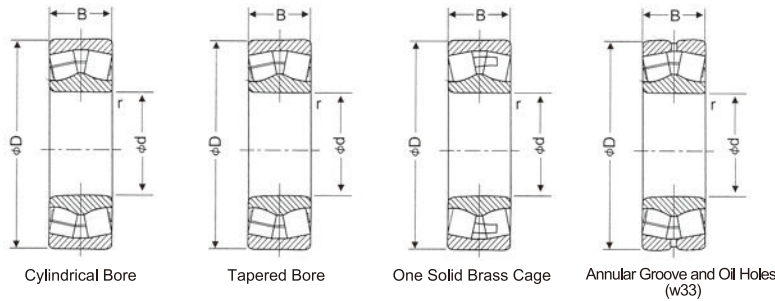


d: 360 ~ 440 mm



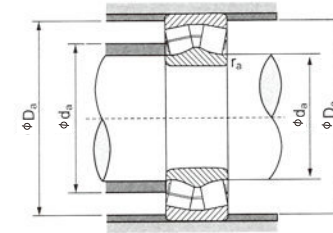
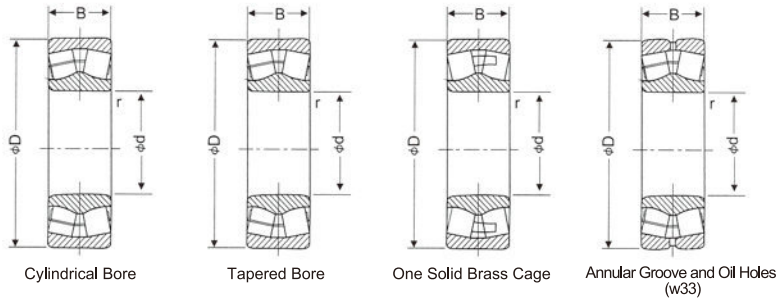
Principal Dimensions (mm)				Bearing Designations		Basic Load Ratings (N)		Limiting Speed (rpm)		Abutment and Fillet Dimensions (mm)			Weight (kg)
d	D	B	r (min)	Cylindrical Bore	Tapered Bore	Dynamic Cr	Static Cor	Grease	Oil	d _a (min)	D _a (max)	r _a (max)	
360	480	90	3	23972CA/W33	23972CAK/W33	1360000	2960000	600	750	374.0	466.0	2.5	46
	540	134	5	23072CA/W33	23072CAK/W33	2320000	4500000	430	670	382.0	518.0	4.0	110
	540	180	5	24072CA/W33	24072CAK/W33	3050000	6350000	450	560	382.0	518.0	4.0	148
	600	192	5	23172CA/W33	23172CAK/W33	3850000	7250000	430	530	382.0	578.0	4.0	225
	600	243	5	24172CA/W33	24172CAK/W33	4500000	8750000	430	530	382.0	578.0	4.0	279
	650	232	6	23272CA/W33	23272CAK/W33	5000000	9000000	380	500	388.0	622.0	5.0	342
380	520	106	4	23976CA/W33	23976CAK/W33	1720000	3650000	530	670	398.0	502.0	3.0	68.2
	560	135	5	23076CA/W33	23076CAK/W33	2370000	4700000	500	630	402.0	538.0	4.0	116
	560	180	5	24076CA/W33	24076CAK/W33	3100000	6650000	450	560	402.0	538.0	4.0	154
	620	194	5	23176CA/W33	23176CAK/W33	3900000	7400000	400	500	402.0	598.0	4.0	236
	620	243	5	24176CA/W33	24176CAK/W33	4650000	9300000	400	500	402.0	598.0	4.0	290
	680	240	6	23276CA/W33	23276CAK/W33	5400000	9800000	360	480	408.0	652.0	5.0	383
400	540	106	4	23980CA/W33	23980CAK/W33	1780000	3900000	500	630	418.0	522.0	3.0	71.4
	600	148	5	23080CA/W33	23080CAK/W33	2800000	5500000	480	600	422.0	578.0	4.0	151
	600	200	5	24080CA/W33	24080CAK/W33	3600000	7650000	400	500	422.0	578.0	4.0	204
	650	220	6	23180CA/W33	23180CAK/W33	4150000	7900000	380	480	428.0	622.0	5.0	266
	650	250	6	24180CA/W33	24180CAK/W33	4950000	9850000	380	480	428.0	622.0	5.0	330
	720	256	6	23280CA/W33	23280CAK/W33	6100000	11100000	340	450	428.0	692.0	5.0	461
420	560	106	4	23984CA/W33	23984CAK/W33	1810000	4000000	480	600	438.0	542.0	3.0	74.4
	620	150	5	23084CA/W33	23084CAK/W33	2910000	5850000	450	560	442.0	598.0	4.0	158
	620	200	5	24084CA/W33	24084CAK/W33	3700000	8000000	380	480	442.0	598.0	4.0	212
	700	224	6	23184CA/W33	23184CAK/W33	4900000	9250000	360	450	448.0	672.0	5.0	354
	700	280	6	24184CA/W33	24184CAK/W33	6000000	12000000	360	450	448.0	672.0	5.0	437
	760	272	7.5	23284CA/W33	23284CAK/W33	6750000	12500000	330	430	456.0	724.0	6.0	548
440	600	118	4	23988CA/W33	23988CAK/W33	2230000	4900000	450	560	458.0	582.0	3.0	101
	650	157	6	23088CA/W33	23088CAK/W33	3100000	6250000	430	530	468.0	622.0	5.0	183
	650	212	6	24088CA/W33	24088CAK/W33	4150000	9000000	360	450	468.0	622.0	5.0	247
	720	226	6	23188CA/W33	23188CAK/W33	5150000	10000000	340	430	468.0	692.0	5.0	371
	720	280	6	24188CA/W33	24188CAK/W33	6150000	12700000	340	430	468.0	692.0	5.0	460
	790	280	7.5	23288CA/W33	23288CAK/W33	7200000	13300000	320	400	476.0	754.0	6.0	605

d: 460 ~ 600 mm



Principal Dimensions (mm)				Bearing Designations		Basic Load Ratings (N)		Limiting Speed (rpm)		Abutment and Fillet Dimensions (mm)			Weight (kg)
d	D	B	r (min)	Cylindrical Bore	Tapered Bore	Dynamic Cr	Static Cor	Grease	Oil	d _a (min)	D _a (max)	r _a (max)	
460	620	118	4	23992CA/W33	23992CAK/W33	2220000	4900000	430	530	478.0	602.0	3.0	105
	680	163	6	23092CA/W33	23092CAK/W33	3400000	6850000	400	500	488.0	652.0	5.0	208
	680	218	6	24092CA/W33	24092CAK/W33	4400000	9650000	340	430	488.0	652.0	5.0	279
	760	240	7.5	23192CA/W33	23192CAK/W33	5750000	11200000	320	400	496.0	724.0	6.0	446
	760	300	7.5	24192CA/W33	24192CAK/W33	6800000	13900000	320	400	496.0	724.0	6.0	550
	830	296	7.5	23292CA/W33	23292CAK/W33	7650000	14500000	300	380	496.0	794.0	6.0	709
480	650	128	5	23996CA/W33	23996CAK/W33	2390000	5450000	430	530	502.0	628.0	4.0	126
	700	165	6	23096CA/W33	23096CAK/W33	3500000	7250000	380	480	508.0	672.0	5.0	217
	700	218	6	24096CA/W33	24096CAK/W33	4550000	10100000	340	430	508.0	672.0	5.0	290
	790	248	7.5	23196CA/W33	23196CAK/W33	6100000	12000000	300	380	516.0	754.0	6.0	495
	790	308	7.5	24196CA/W33	24196CAK/W33	7150000	14800000	300	380	516.0	754.0	6.0	625
	870	340	7.5	23296CA/W33	23296CAK/W33	8150000	15400000	280	360	516.0	834.0	6.0	820
500	670	128	5	239500CA/W33	239500CAK/W33	2450000	5700000	400	500	522.0	648.0	4.0	130
	720	167	6	230500CA/W33	230500CAK/W33	3650000	7650000	380	480	528.0	692.0	5.0	228
	720	218	6	240500CA/W33	240500CAK/W33	4650000	10500000	320	400	528.0	692.0	5.0	330
	860	264	7.5	231500CA/W33	231500CAK/W33	6700000	13000000	280	360	536.0	794.0	6.0	584
	860	325	7.5	241500CA/W33	241500CAK/W33	7950000	16200000	280	360	536.0	794.0	6.0	718
	920	336	7.5	232500CA/W33	232500CAK/W33	9500000	17800000	260	340	536.0	884.0	6.0	1000
530	710	136	5	239530CA/W33	239530CAK/W33	2940000	6800000	360	450	552.0	688.0	4.0	156
	780	185	6	230530CA/W33	230530CAK/W33	4500000	9450000	370	450	558.0	752.0	5.0	308
	780	250	6	240530CA/W33	240530CAK/W33	5600000	12500000	300	370	558.0	752.0	5.0	417
	870	272	7.5	231530CA/W33	231530CAK/W33	7350000	14600000	260	340	566.0	834.0	6.0	640
	980	355	9.5	232530CA/W33	232530CAK/W33	11000000	21000000	220	300	574.0	936.0	8.0	1215
560	750	140	5	239560CA/W33	239560CAK/W33	3050000	6950000	340	430	582.0	728.0	4.0	177
	820	195	6	230560CA/W33	230560CAK/W33	5050000	10800000	340	430	588.0	792.0	5.0	359
	820	258	6	240560CA/W33	240560CAK/W33	6000000	13500000	280	350	588.0	792.0	5.0	468
	920	280	7.5	231560CA/W33	231560CAK/W33	7950000	15800000	240	320	596.0	884.0	6.0	732
	1030	365	9.5	232560CA/W33	232560CAK/W33	11500000	22000000	190	270	612.0	992.0	8.0	1390
600	800	150	5	239600CA/W33	239600CAK/W33	3450000	8050000	320	400	622.0	778.0	4.0	214
	870	200	6	230600CA/W33	230600CAK/W33	5500000	12000000	320	400	628.0	842.0	5.0	408
	870	272	6	240600CA/W33	240600CAK/W33	6500000	14900000	260	330	628.0	842.0	5.0	551
	980	300	7.5	231600CA/W33	231600CAK/W33	8700000	17500000	200	280	636.0	944.0	6.0	887
	1090	388	9.5	232600CA/W33	232600CAK/W33	12900000	25100000	160	240	654.0	1048	8.0	1640

d: 630 ~ 950 mm



Principal Dimensions (mm)				Bearing Designations		Basic Load Ratings (N)		Limiting Speed (rpm)		Abutment and Fillet Dimensions (mm)			Weight (kg)
d	D	B	r (min)	Cylindrical Bore	Tapered Bore	Dynamic Cr	Static Cor	Grease	Oil	d _a (min)	D _a (max)	r _a (max)	
630	850	165	6	239/630CA/W33	239/630CAK/W33	4150000	9700000	280	360	658.0	822.0	5.0	273
	920	212	7.5	230/630CA/W33	230/630CAK/W33	6000000	13100000	290	380	666.0	884.0	6.0	487
	1030	315	7.5	231/630CA/W33	231/630CAK/W33	9700000	19800000	190	260	666.0	994.0	6.0	1070
670	900	170	6	239/670CA/W33	239/670CAK/W33	4450000	10500000	260	340	698.0	872.0	5.0	316
	980	230	7.5	230/670CA/W33	230/670CAK/W33	6950000	15300000	270	340	706.0	944.0	6.0	603
	980	3080	7.5	240/670CA/W33	240/670CAK/W33	8650000	19800000	230	290	706.0	944.0	6.0	801
	1090	336	7.5	231/670CA/W33	231/670CAK/W33	11000000	23000000	180	240	706.0	1054	6.0	1260
710	950	180	6	239/710CA/W33	239/710CAK/W33	5000000	12100000	240	320	738.0	922.0	5.0	369
	1030	236	7.5	230/710CA/W33	230/710CAK/W33	7450000	16600000	250	320	746.0	994.0	6.0	676
	1150	345	9.5	231/710CA/W33	231/710CAK/W33	12100000	25300000	170	220	754.0	1106	8.0	1432
750	1000	185	6	239/750CA/W33	239/750CAK/W33	5400000	13200000	220	300	778.0	972.0	5.0	417
	1090	250	7.5	230/750CA/W33	230/750CAK/W33	8400000	18900000	230	300	786.0	1054	6.0	803
	1220	365	9.5	231/750CA/W33	231/750CAK/W33	13000000	27700000	150	190	794.0	1176	8.0	1710
	1060	195	6	239/800CA/W33	239/800CAK/W33	5850000	14500000	200	280	825.0	1032	5.0	470
800	1150	258	7.5	230/800CA/W33	230/800CAK/W33	8800000	20900000	210	270	836.0	1114	6.0	910
	1150	345	7.5	240800CA/W33	240800CAK/W33	11100000	27200000	200	250	836.0	1114	6.0	1200
	1280	375	9.5	231/800CA/W33	231/800CAK/W33	14400000	31000000	160	210	844.0	1236	8.0	1910
	1120	200	6	239/850CA/W33	239/850CAK/W33	6200000	15600000	190	260	878.0	1092	5.0	546
850	1220	272	7.5	230/850CA/W33	230/850CAK/W33	9750000	22500000	190	240	886.0	1184	6.0	1059
	1180	206	6	239/900CA/W33	239/900CAK/W33	6700000	17000000	180	240	928.0	1152	5.0	618
900	1280	280	7.5	230/900CA/W33	230/900CAK/W33	10500000	25400000	180	220	936.0	1244	5.0	1200
	1250	224	7.5	239/950CA/W33	239/950CAK/W33	7750000	19900000	170	220	986.0	1214	6.0	763
950	1360	300	7.5	230/950CA/W33	230/950CAK/W33	11600000	27200000	160	200	986.0	1324	6.0	1450

